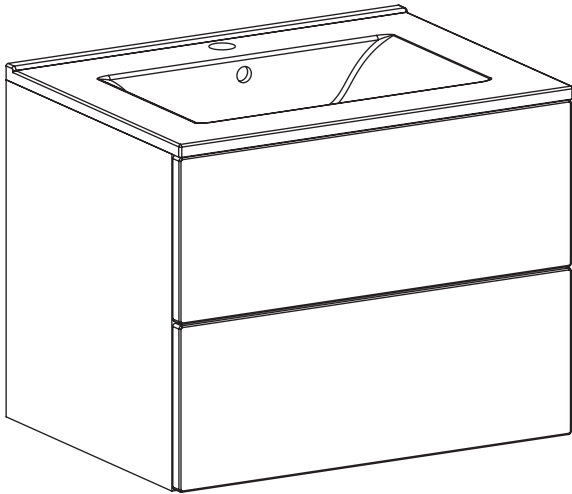
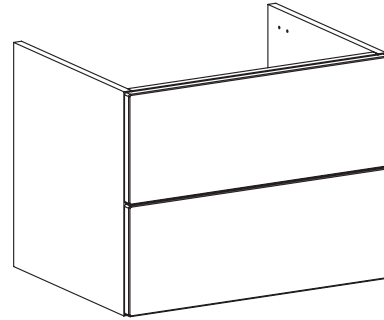


## Wall Hung Vanity



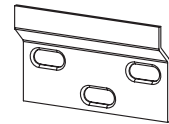
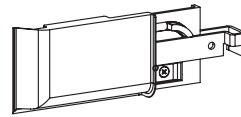
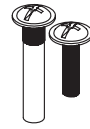
600 2 Drawer unit shown.  
Images for illustration purposes only.  
**Note:** 1200 Unit is made up of 2 x 600 units

## Components



1 x LH & 1 x RH  
Wall Cabinet Hanger Set  
Includes screws

4 x Connecting Bolt  
2 in each 600 unit.  
Used in 1200 only.

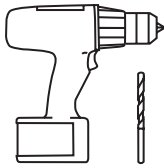


2 x Wall Fixing Plate  
Fixings not supplied

## Tools Required (NOT Supplied)

### Drill and drill bits

Required when securing the cabinet to a wall. Use an appropriate size drill bit to match the wall fixing chosen (wall screws and fixings not supplied).



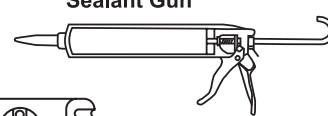
### Cross Head Screwdriver



### Pencil



### Sealant Gun



### Spirit Level



### Tape Measure

## Before you start carefully read the instructions.

Check the pack and make sure all the components are included. When you are ready to start make sure you have the right tools to hand, plenty of space and a clean dry area for building. Don't rush, read the instructions first and run through them before you begin. Keep fittings together to avoid loss. Do not overtighten screws or bolts.

**CLEANING** Use mild soap and water only. Do not use washing powders or any other types of abrasive cleaner. See aftercare instructions.

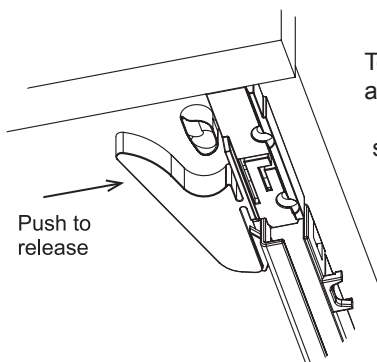
### IMPORTANT

If you are unsure of any part of the instructions shown in this document we recommend that you contact a reputable qualified trades person. If a part is missing or damaged, please call 01535 613830. Please have your instruction guide ready.



W30/448 070220

1

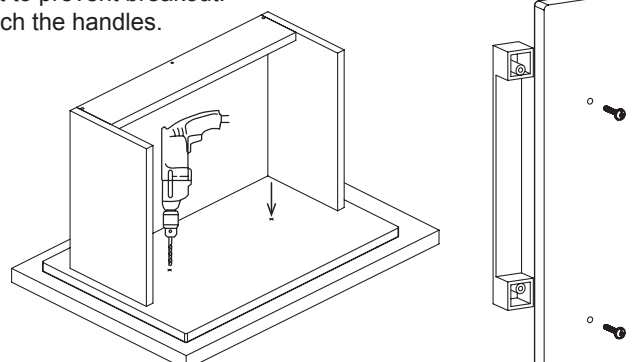


Push to release

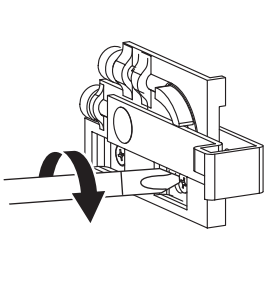
To remove the drawer, open and locate the clips on each side of the drawer base, squeeze both clips and pull the drawer forward while lifting to remove.

2

Mark out and drill the positions for the handles. It is recommended to put a scrap piece of wood under the drawer front to prevent breakout. Attach the handles.



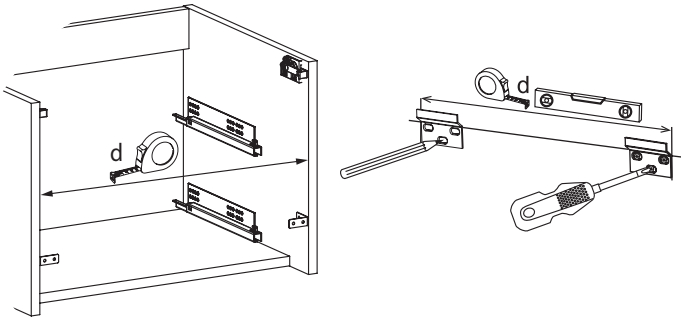
3



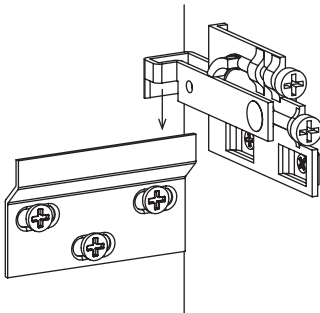
Attach the cabinet hangers to the end panels of the units, using the screws provided.

4

Measure the distance 'd' between the end panels of the unit and fix the wall brackets to the wall in the desired location.



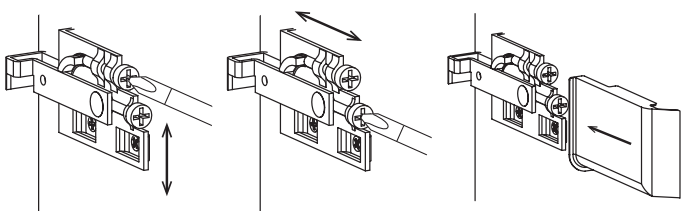
5



Gently lift the cabinet into position so that the cabinet hangers sit onto the wall brackets. Make sure that the cabinet is securely held in place before letting go.

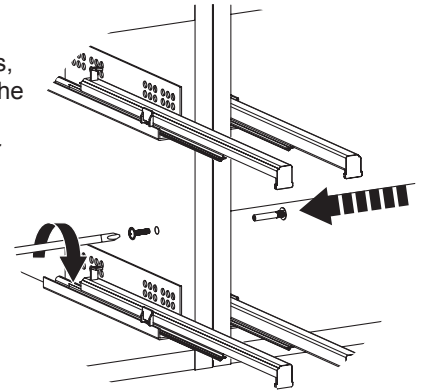
6

Using a spirit level check the cabinet is level and plumb. Adjust the cabinet hanger as shown, using the top screw to alter the vertical adjustment and the bottom screw to secure the unit to the wall once the unit is level. Once you are happy that the unit is level, place the covers over the cabinet hangers.



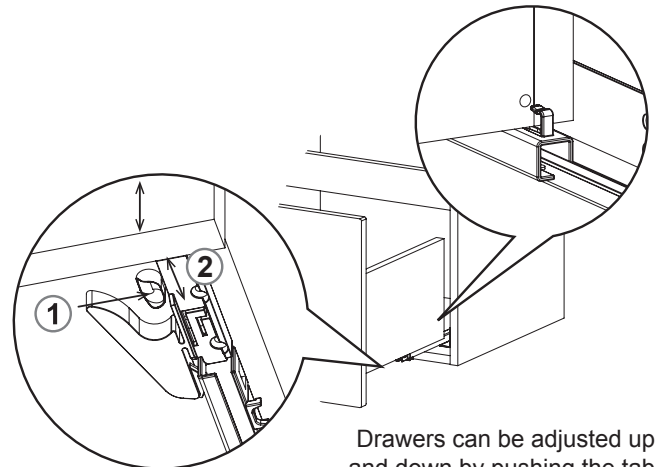
7 1200 unit only

Once you are happy with the positioning of the units, join them together using the connecting bolts. When deciding on a position for the connecting bolt make sure they won't clash with any other components. Place a piece of scrap board behind the panel when drilling to prevent breakout.



8

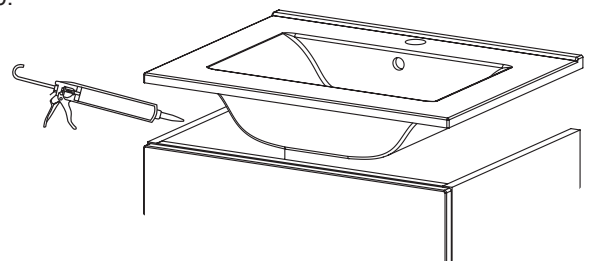
Fully extend the runners, lower the drawer on to the runners, pushing back into the carcass, making sure the pins are locating into the holes at the rear, it should click into place.



Drawers can be adjusted up and down by pushing the tab on the clips and sliding

9

Silicone around the top of the unit and lower the basin into position. You may wish to also silicone where the unit and the basin meet the wall, and where the basin meets the worktop.



We recommend that you read the sealant packaging for the curing time. Do not use until the sealant is set.